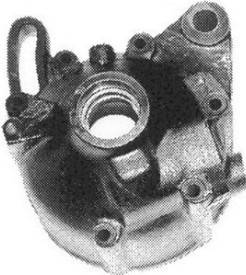


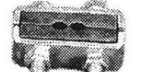

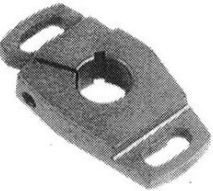




**INJECTION PARTS**

MTC-No.	OE No.	Description	Models	
	30 26 70	346 070 0315	Governor housing	OM 355
1 	31 26 75.01	Injection Line clamp # 4		
2 	31 26 75.02	Injection Line clamp # 3		
3 	31 26 75.03	Injection Line clamp # 2		
	31 26 77	352 993 1910	Spring, Injection	OM 355 , OM 352
	30 26 72	000 077 5608	Coupling	OM 355 , OM 346
1 	30 26 71	346 070 0535	Line	
2 	30 26 71.01	346 070 0435	Line	